



# ALPHAHEAT

## PRODUCT DATA SHEET

### Tacker staple 35mm

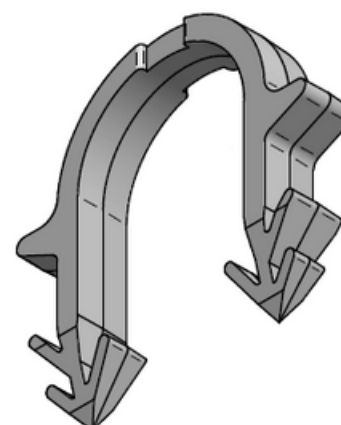
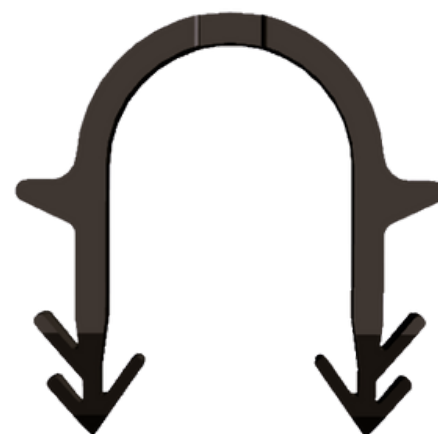
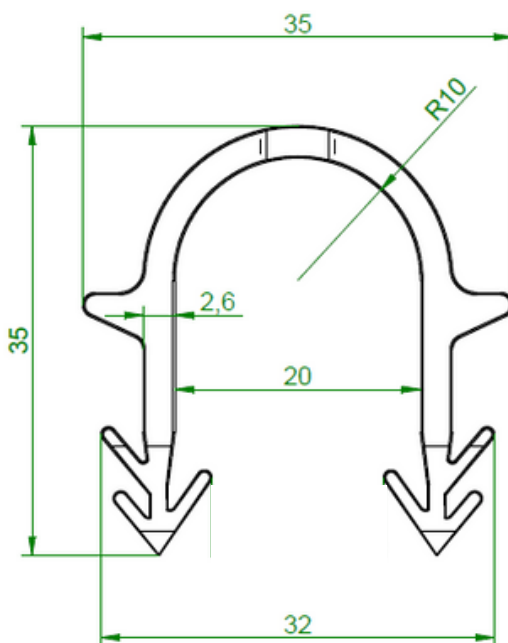
The tacker staple is designed for the installation of underfloor heating pipes in the insulation layer with the use of a tacker gun.

**Total length** of the staple is 35mm

The  $\varnothing$  of the staple is 20mm

The clip is made of pure polypropylene, which makes it highly resistant to temperature changes, and ensures that the staple does not break during installation.

The clips are **tape glued or welded** together, in order to facilitate an efficient installation with the tacker gun.



Name	Code	Colour
Tacker clip 35mm	<i>welded</i> 7-4135-720-01-01	Black
	<i>tape glued</i> 7-4035-720-01-01	
Pieces in a singular box	Pieces in a master box	Pieces on a pallet
720	14 400	288 000



**ALPHAHEAT**

## PRODUCT DATA SHEET

# Tacker staple 40mm

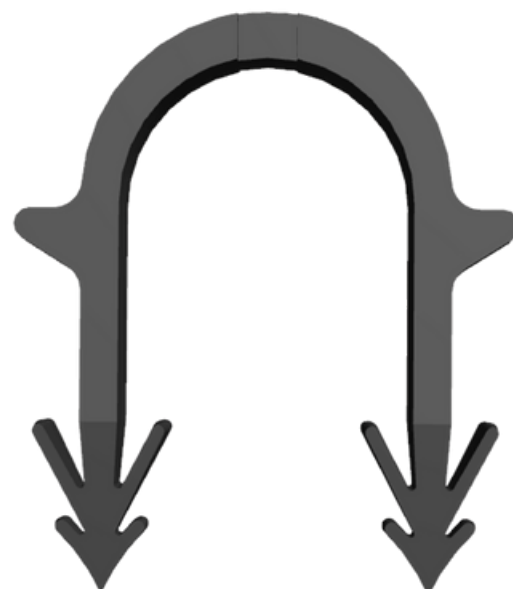
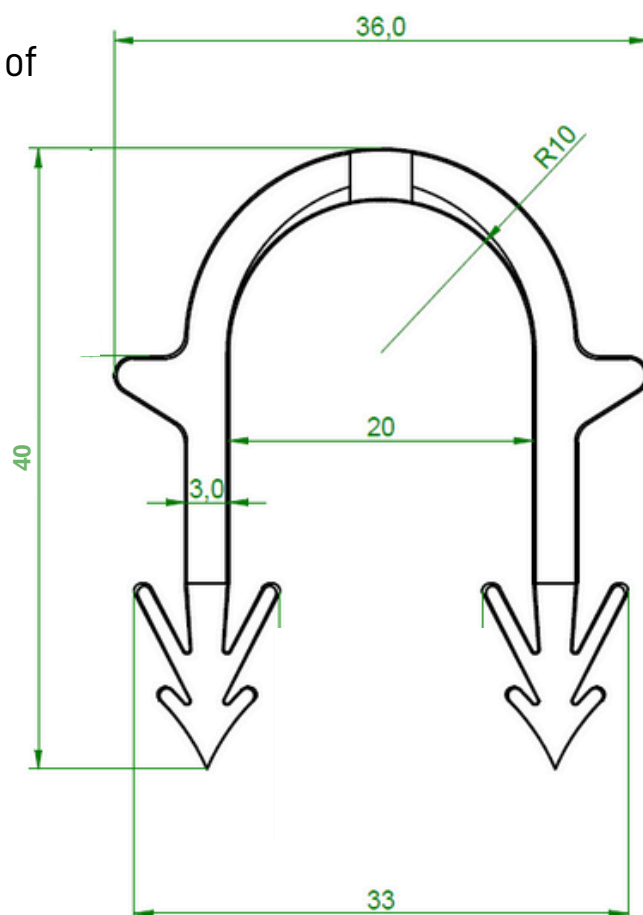
The tacker staple is designed for the installation of underfloor heating pipes in the insulation layer with the use of a tacker gun.

**Total length** of the staple is 40mm

The  $\varnothing$  of the staple is 20mm

The clip is made of pure polypropylene, which makes it highly resistant to temperature changes, and ensures that the staple does not break during installation.

The clips are **tape glued or welded** together, in order to facilitate an efficient installation with the tacker gun.



Name	Code	Colour
Tacker staple 40mm	welded 7-4140-250-01-01	Black
	tape glued 7-4040-300-01-01	
Pieces in a singular box	Pieces in a master box	Pieces on a pallet
300	8 400	168 000



**ALPHAHEAT**

## PRODUCT DATA SHEET

# Tacker staple 50mm

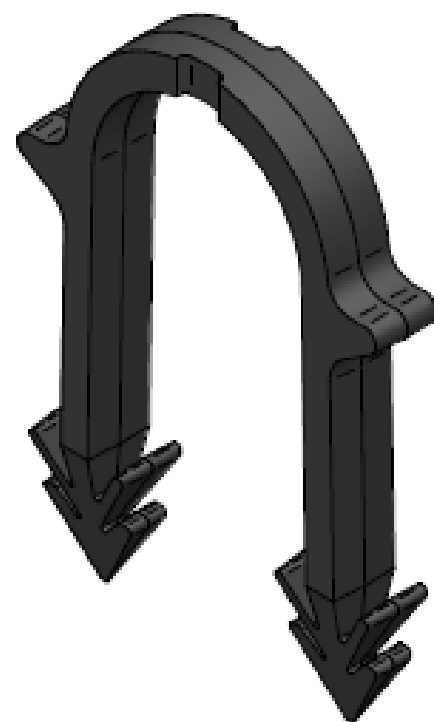
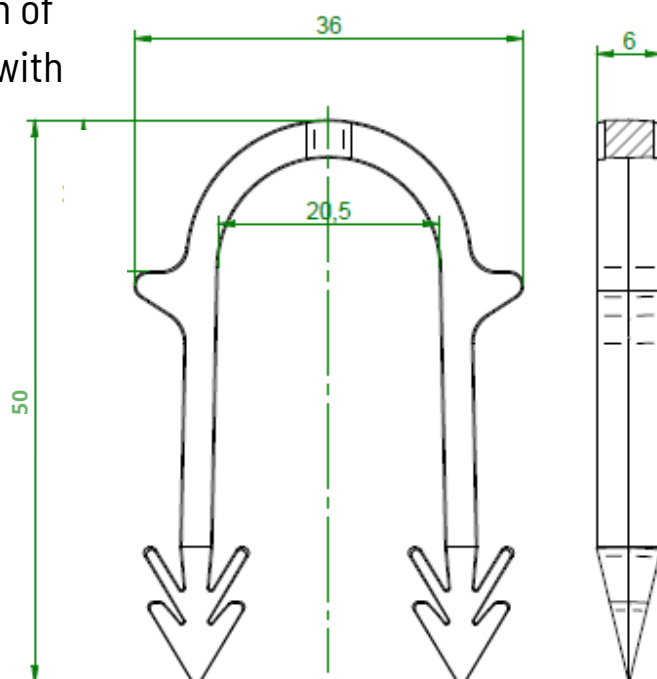
The tacker staple is designed for the installation of underfloor heating pipes in the insulation layer with the use of a tacker gun.

**Total length** of the staple is 50mm

The  $\varnothing$  of the staple is 20,5mm

The clip is made of pure polypropylene, which makes it highly resistant to temperature changes, and ensures that the staple does not break during installation.

The clips are **tape glued or welded** together, in order to facilitate an efficient installation with the tacker gun.



Nazwa	Code	Colour
Tacker staple 50mm	welded 7-4150-250-01-01	Black
	tape glued 7-4050-250-01-01	
Pieces in a singular box	Pieces in a master box	Pieces on a pallet
250	7 000	140 000



**ALPHAHEAT**

## PRODUCT DATA SHEET

# Tacker staple 60mm

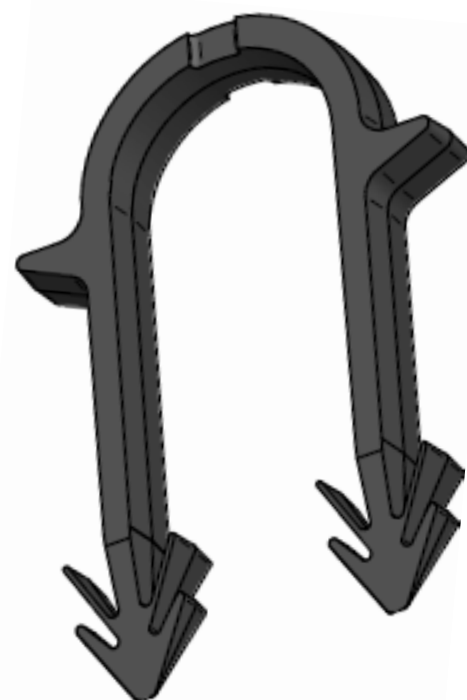
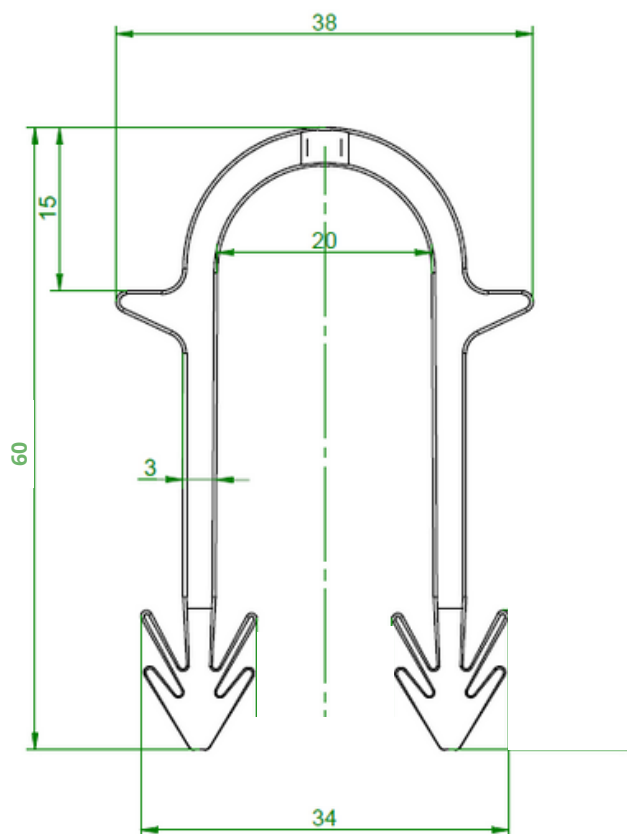
The tacker staple is designed for the installation of underfloor heating pipes in the insulation layer with the use of a tacker gun.

**Total length** of the staple is 60mm

The  $\varnothing$  of the staple is 20mm

The clip is made of pure polypropylene, which makes it highly resistant to temperature changes, and ensures that the staple does not break during installation.

The clips are **tape glued or welded** together, in order to facilitate an efficient installation with the tacker gun.



Name	Code	Colour
Tacker staple 60mm	<i>welded</i> 7-4160-300-01-01	Black
	<i>tape glued</i> 7-4060-300-01-01	
Pieces in a singular box	Pieces in a master box	Pieces on a pallet
300	6 000	120 000