



**ALPHAHEAT**

**Your trusted producent of  
underfloor heating  
components**

TM



<i>Introduction</i>	<i>1</i>	<i>Pressure Test Caps</i>	<i>21</i>
<i>Tacker staple 35mm</i>	<i>2</i>	<i>Edge Strip Insulation</i>	<i>22</i>
<i>Tacker staple 40mm</i>	<i>3</i>	<i>Aluminium Foil</i>	<i>23</i>
<i>Tacker staple 50mm</i>	<i>4</i>	<i>Aluminium Tacker Gun</i>	<i>24</i>
<i>Tacker staple 60mm</i>	<i>5</i>	<i>Under Plaster Mnifold Cabinet</i>	<i>25</i>
<i>Clip Rail 10-12mm</i>	<i>6</i>	<i>Over Plaster Mnifold Cabinet</i>	<i>26</i>
<i>Clip Rail 16-18mm</i>	<i>7</i>		
<i>Clip Rail 20-22mm</i>	<i>8</i>		
<i>Manual Clip 50mm</i>	<i>9</i>		
<i>Manual Clip 66mm</i>	<i>10</i>		
<i>Leak Proof Test Plug 1/2" &amp; 3/4"</i>	<i>11</i>		
<i>Foil Clip</i>	<i>12</i>		
<i>Clips for Castellated Panels</i>	<i>13</i>		
<i>Pipe Bend Support 10-12mm</i>	<i>14</i>		
<i>Pipe Bend Support 14-18mm</i>	<i>15</i>		
<i>Pipe Bend Support 20-22mm</i>	<i>16</i>		
<i>Single Hook Floor Dowel - short</i>	<i>17</i>		
<i>Single Hook Flow Dowel - long</i>	<i>18</i>		
<i>Double Hook Floor Dowel - short</i>	<i>19</i>		
<i>Double Hook Flow Dowel - long</i>	<i>20</i>		



ALPHAHEAT is a manufacturing company specializing in the development and production of high-quality components for underfloor heating systems.

With 15 years of experience in the field, we produce high-quality underfloor heating system components for major companies in Poland and abroad.

ALPHAHEAT understands the needs of installers and we reflect this knowledge in our products.

We place great emphasis on the quality of our products - we use pure materials and advanced, regularly serviced machinery.

We manufacture both under our own brand name and under our customer's brand name at the customer's request.

We develop the injection molds for our products in our own tool shop, which allows us to quickly expand our product range.

### **Our values**

High product quality

Long-term partnerships

Timely order finalization





# ALPHAHEAT

## PRODUCT DATA SHEET

### Tacker staple 35mm

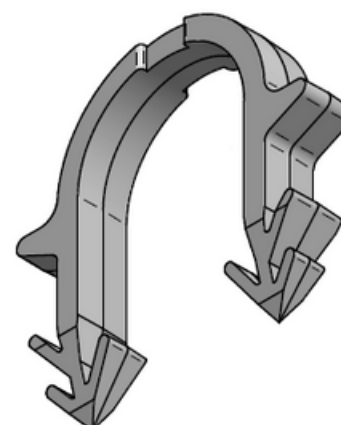
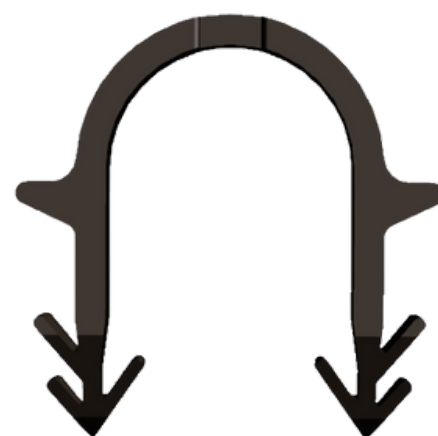
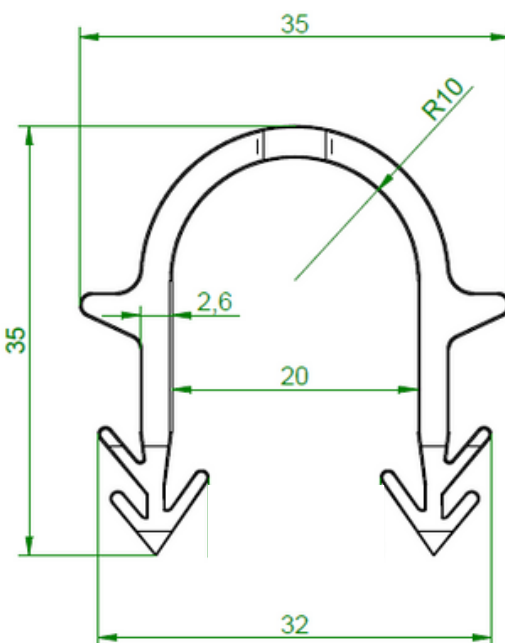
The tacker staple is designed for the installation of underfloor heating pipes in the insulation layer with the use of a tacker gun.

**Total length** of the staple is 35mm

The  $\varnothing$  of the staple is 20mm

The clip is made of pure polypropylene, which makes it highly resistant to temperature changes, and ensures that the staple does not break during installation.

The clips are **tape glued or welded** together, in order to facilitate an efficient installation with the tacker gun.



Name	Code	Colour
Tacker clip 35mm	<i>welded</i> 7-4135-720-01-01	Black
	<i>tape glued</i> 7-4035-720-01-01	
Pieces in a singular box	Pieces in a master box	Pieces on a pallet
720	14 400	288 000



**ALPHAHEAT**

## PRODUCT DATA SHEET

# Tacker staple 40mm

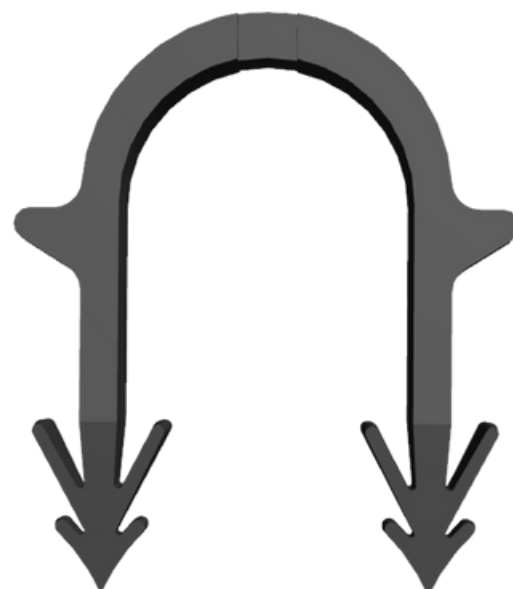
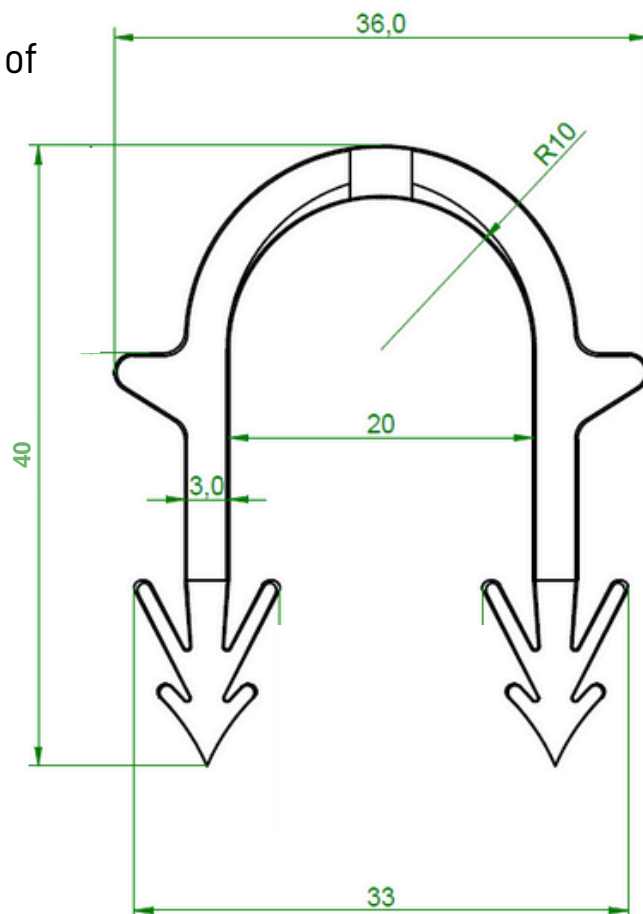
The tacker staple is designed for the installation of underfloor heating pipes in the insulation layer with the use of a tacker gun.

**Total length** of the staple is 40mm

The  $\varnothing$  of the staple is 20mm

The clip is made of pure polypropylene, which makes it highly resistant to temperature changes, and ensures that the staple does not break during installation.

The clips are **tape glued or welded** together, in order to facilitate an efficient installation with the tacker gun.



Name	Code	Colour
Tacker staple 40mm	welded 7-4140-250-01-01	Black
	tape glued 7-4040-300-01-01	
Pieces in a singular box	Pieces in a master box	Pieces on a pallet
300	8 400	168 000



**ALPHAHEAT**

## PRODUCT DATA SHEET

# Tacker staple 50mm

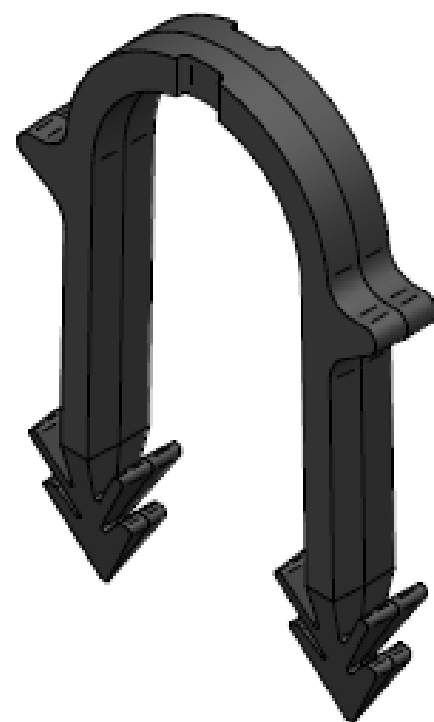
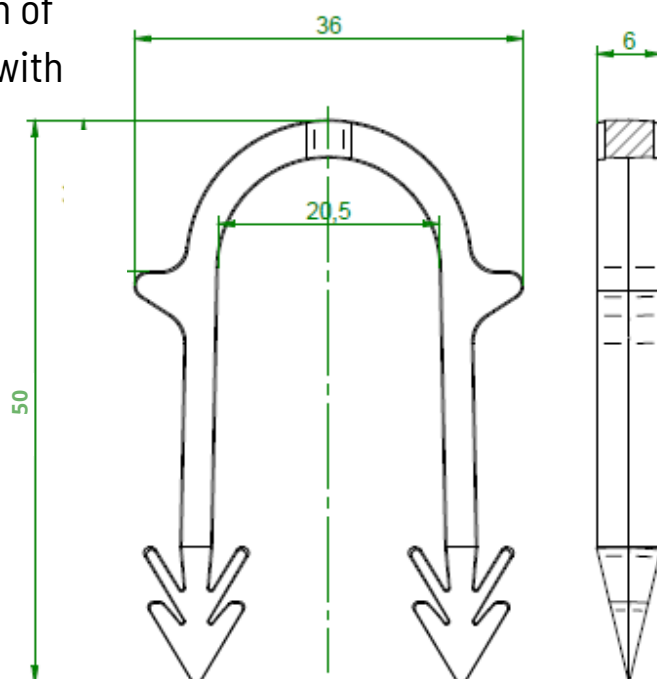
The tacker staple is designed for the installation of underfloor heating pipes in the insulation layer with the use of a tacker gun.

**Total length** of the staple is 50mm

The  $\varnothing$  of the staple is 20,5mm

The clip is made of pure polypropylene, which makes it highly resistant to temperature changes, and ensures that the staple does not break during installation.

The clips are **tape glued or welded** together, in order to facilitate an efficient installation with the tacker gun.



Nazwa	Code	Colour
Tacker staple 50mm	welded 7-4150-250-01-01	Black
	tape glued 7-4050-250-01-01	
Pieces in a singular box	Pieces in a master box	Pieces on a pallet
250	7 000	140 000



**ALPHAHEAT**

## PRODUCT DATA SHEET

# Tacker staple 60mm

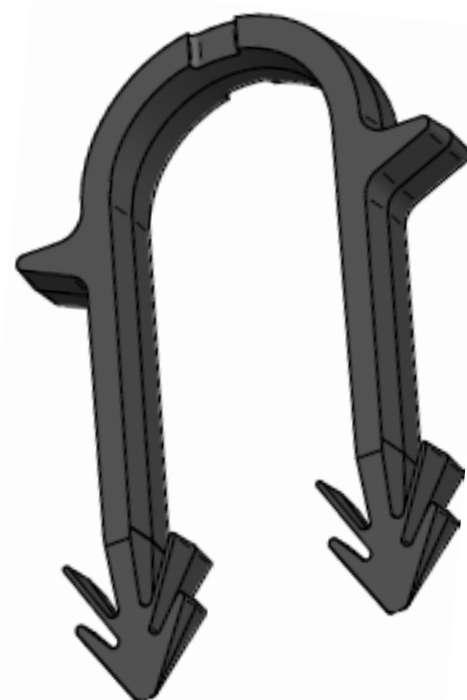
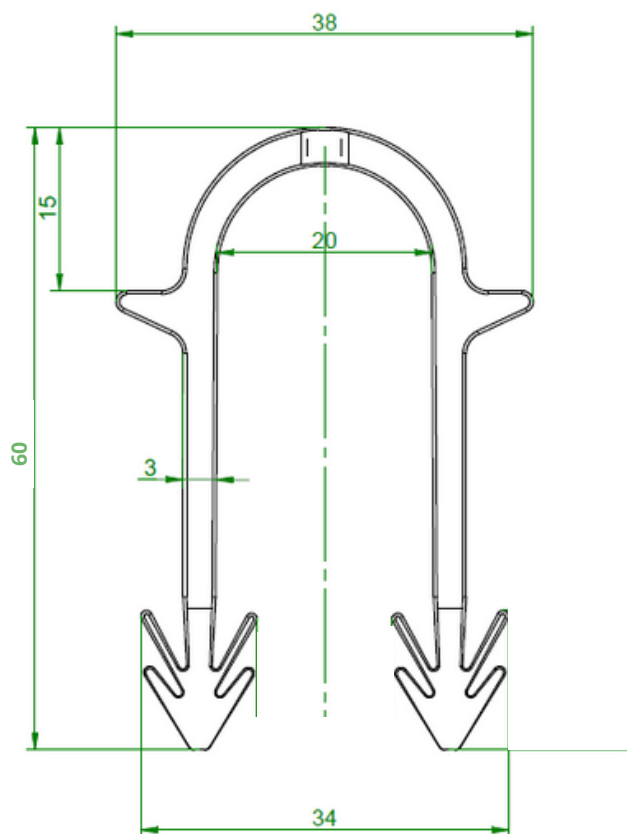
The tacker staple is designed for the installation of underfloor heating pipes in the insulation layer with the use of a tacker gun.

**Total length** of the staple is 60mm

The  $\varnothing$  of the staple is 20mm

The clip is made of pure polypropylene, which makes it highly resistant to temperature changes, and ensures that the staple does not break during installation.

The clips are **tape glued or welded** together, in order to facilitate an efficient installation with the tacker gun.



Name	Code	Colour
Tacker staple 60mm	<i>welded</i> 7-4160-300-01-01	Black
	<i>tape glued</i> 7-4060-300-01-01	
Pieces in a singular box	Pieces in a master box	Pieces on a pallet
300	6 000	120 000



**ALPHAHEAT**

## PRODUCT DATA SHEET

# Clip Rail 10-12mm

Clip rail for mounting underfloor and wall heating systems.  
Fitted with adhesive backing and grips.

Can be used for floor, wall and ceiling mounting of pipes  
with and without aluminium layer

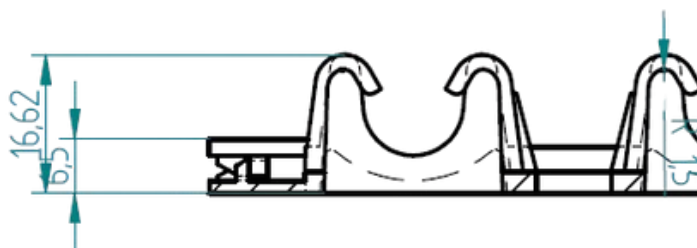
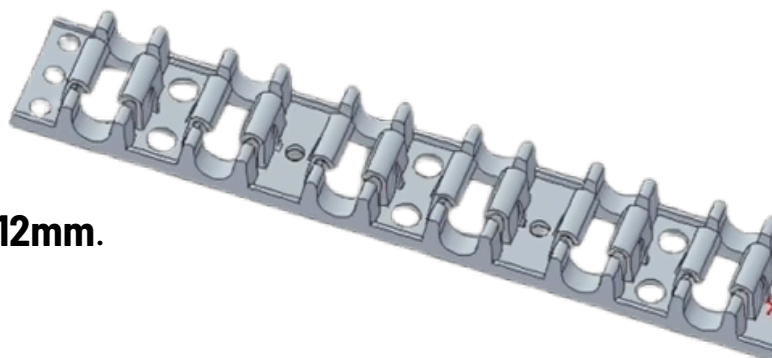
**Total length** of 1 piece of rail is 1 meter

Designed for pipes with diameters of  $\varnothing$  **10-12mm**.

The clip rail is made of pure polypropylene,

The clip rail comes in 1000 mm pieces  
consisting of two 500 mm sections.

Total height: 16,62 mm



Name	Code	Colour
Clip rail 10-12 with adhesive backing	7-3110-100-01-01	Black

**Pieces in a  
singular box**

100 pieces  
( = 100 meters )





**ALPHAHEAT**

## PRODUCT DATA SHEET

# Clip Rail 16-18mm

Clip rail for mounting underfloor and wall heating systems.  
Fitted with adhesive backing to shorten and simplify  
the installation process

**Total length** of 1 piece of rail is 1 meter

Designed for pipes with diameters of  $\varnothing$  **16-18mm**.

The clip rail is made of pure polypropylene,

The clip rail comes in 1000 mm pieces  
consisting of two 500 mm sections.

\*Complementary item: rail fixing clip



Name	Code	Colour
------	------	--------

Clip rail 16-18 with adhesive backing	7-3116-100-01-01	Black
---	------------------	-------

**Pieces in a  
singular box**

100 pieces  
( = 100 meters )



**ALPHAHEAT**

## PRODUCT DATA SHEET

# Clip Rail 20-22mm

Clip rail for mounting underfloor and wall heating systems.  
Fitted with adhesive backing to shorten and simplify  
the installation process

**Total length** of 1 piece of rail is 1 meter

Designed for pipes with diameters of  $\varnothing$  **20-22mm**.

The clip rail is made of pure polypropylene,

The clip rail comes in 1000 mm pieces  
consisting of two 500 mm sections.

\*Complementary item: rail fixing clip



Name	Code	Colour
------	------	--------

Clip rail 20-22 with adhesive backing	7-3120-100-01-01	Black
---	------------------	-------

**Pieces in a  
singular box**

100 pieces  
( = 100 meters )



**ALPHAHEAT**

## PRODUCT DATA SHEET

### Manual clip 50mm

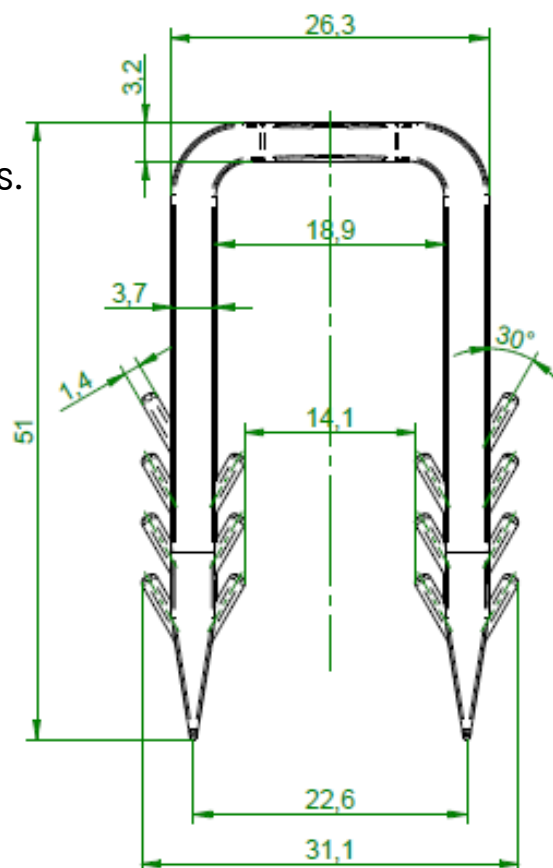
Manual clip is designed for the manual installation of underfloor heating rails, cables and pipes.

**Total length** of the clip is 51mm

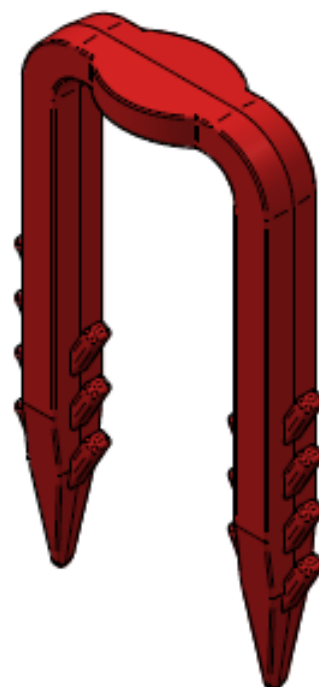
The  $\varnothing$  of the clip is 18.9mm

The clip is equipped with a flared top, which allows for a comfortable manual installation.

The clip can be used to mount stand-alone cables and pipes, or as part of the cliprail system.



Name	Code	Colour
Manual clip 50mm	7-0150-250-01-03	Red
Pieces in a singular box	Pieces in a master box	Pieces on a pallet
250	7000	140 000





# ALPHAHEAT

## PRODUCT DATA SHEET

### Manual clip 66mm

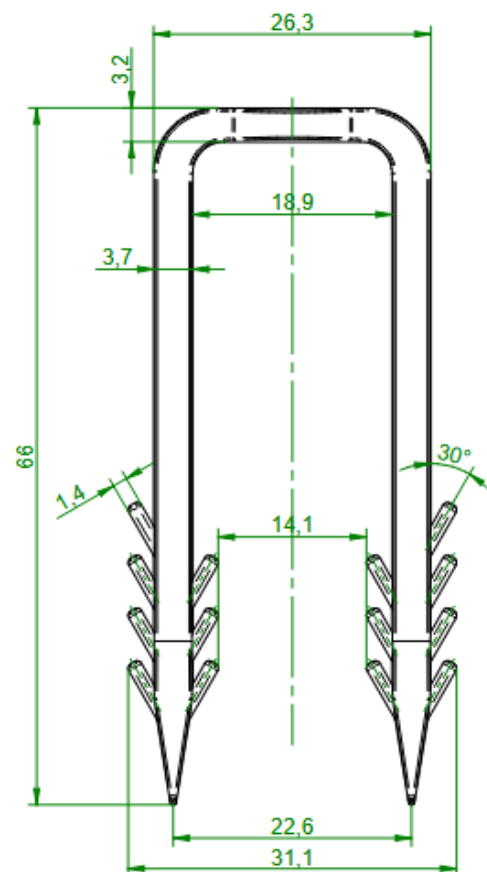
Manual clip is designed for the manual installation of underfloor heating rails, cables and pipes.

**Total length** of the clip is 66mm

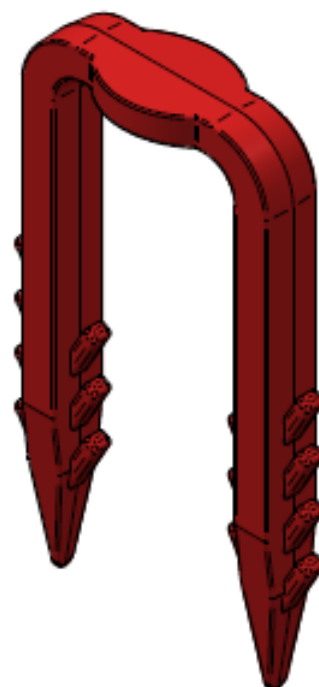
**The Ø** of the clip is 18.9mm

The clip is equipped with a flared top, which allows for a comfortable manual installation.

The clip can be used to mount stand-alone cables and pipes, or as part of the cliprail system.



Name	Code	Colour
Manual clip 66mm	7-0151-200-01-03	Red
Pieces in a singular box	Pieces in a master box	Pieces on a pallet
200	4000	80 000





**ALPHAHEAT**

## PRODUCT DATA SHEET

# Leak proof test plug 1/2"

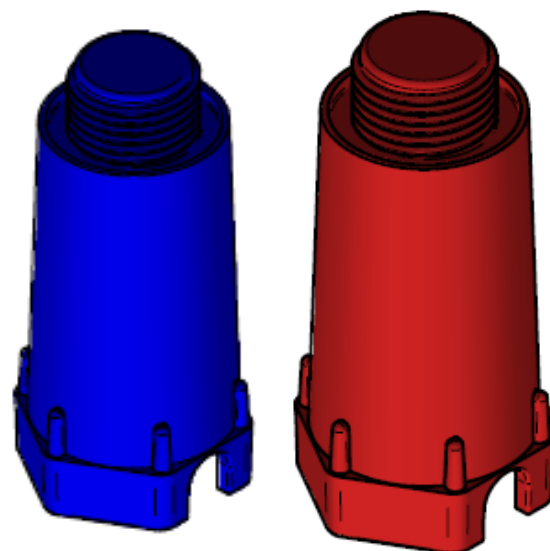
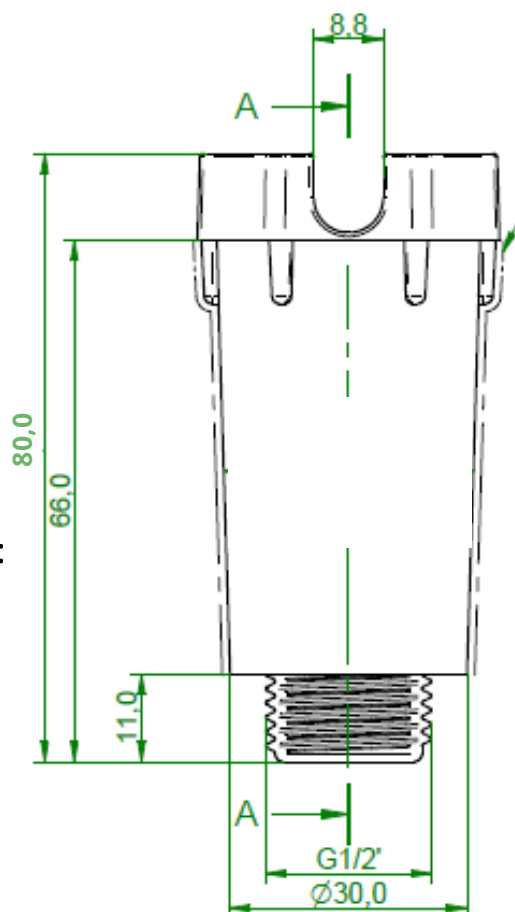
The leak proof test plug is used to plug water system pipes for the purpose of carrying out leakage tests of the installation.

**The total length** of the plug is 80mm

**The diameter** of the plug is 1/2"

The design of the plug allows 4 installation methods: manually, with a socket spanner, using an allen key, with a screwdriver.

The plug is made of high-quality material, which ensures its durability during assembly and disassembly.



Name	Code	Colour
Leak proof test plug	7-0120-020-01-02	Blue
	7-0120-020-01-03	Red
Pieces in a singular box	Pieces in a master box	Pieces on a pallet
20	560	11 200



**ALPHAHEAT**

## PRODUCT DATA SHEET

# Leak proof test plug 3/4"

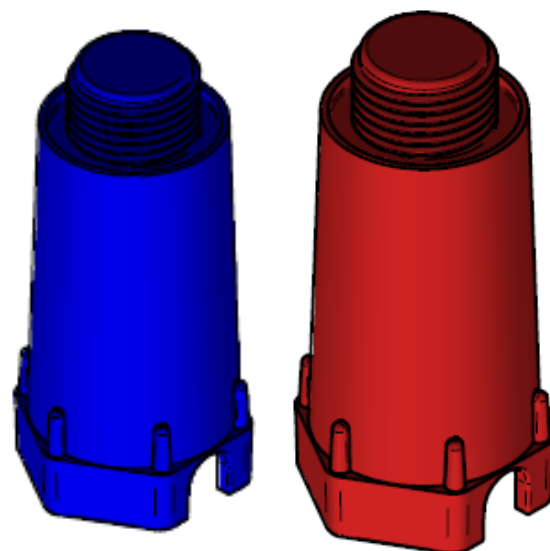
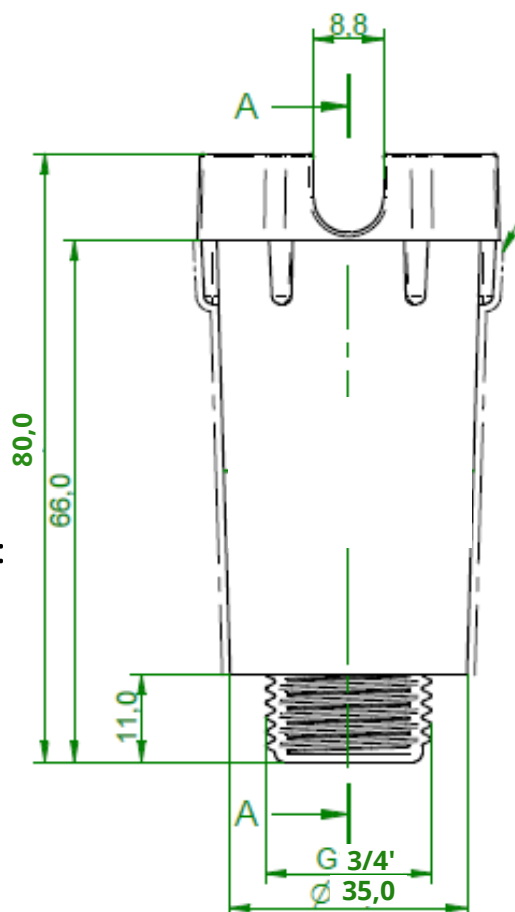
The leak proof test plug is used to plug water system pipes for the purpose of carrying out leakage tests of the installation.

**The total length** of the plug is 80mm

**The diameter** of the plug is 3/4"

The design of the plug allows 4 installation methods: manually, with a socket spanner, using an allen key, with a screwdriver.

The plug is made of high-quality material, which ensures its durability during assembly and disassembly.



Name	Code	Colour
Leak proof test plug	7-0340-020-01-02	Blue
	7-0340-020-01-03	Red
Pieces in a singular box	Pieces in a master box	Pieces on a pallet
20	560	11 200



# ALPHAHEAT

## PRODUCT DATA SHEET

### Foil clip

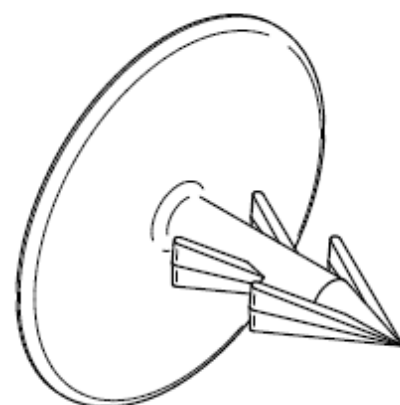
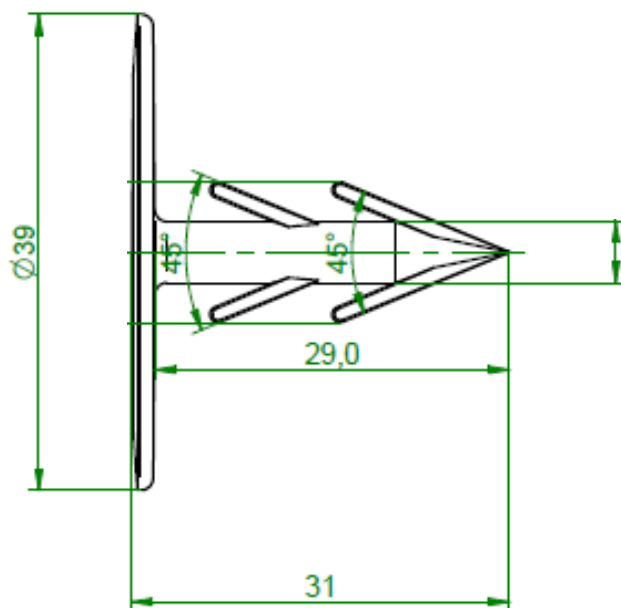
The foil clip is designed for attaching the foil to the insulation layer.

The **total length** of the clip is 31mm

The clip is designed to allow for a quick and easy fixing of the foil to the insulation layer.

Using the foil clip guarantees that the foil will not tear at the fixing point.

The clip is made from pure Polypropylene.



Name	Code	Colour
Foil clip	7-0080-200-01-03	Red

Pieces in a singular box	Pieces in a master box	Pieces on a pallet
200	5600	112 000



**ALPHAHEAT**

## PRODUCT DATA SHEET

# Clips for castellated panels

The foil clip is designed for securing the pipe in a castellated panel, blocking the pipe between the panel tabs.

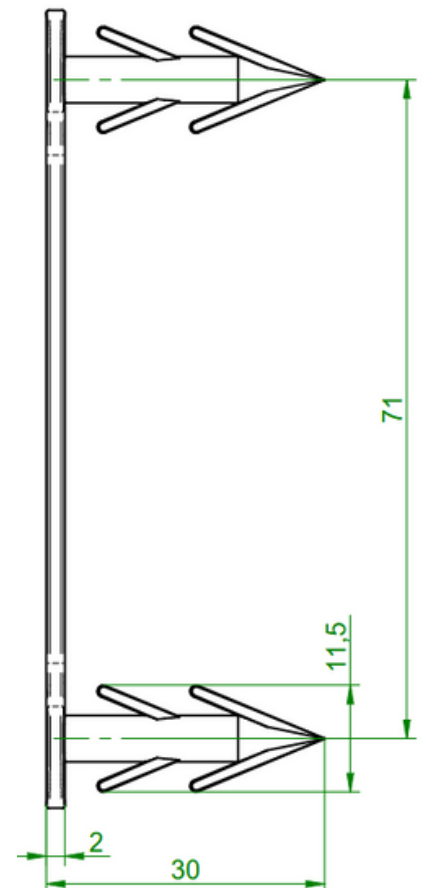
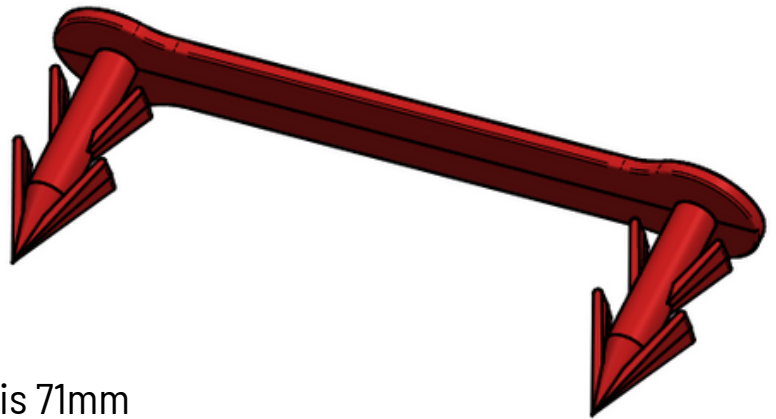
The **total length** of the clip is 86mm

The **total height** of the clip is 30mm

The **total space between tips** of the clip is 71mm

The clip is designed to allow for a quick and easy fixing to the castellated panels.

The clip is made from pure Polypropylene.



Name	Code	Colour
Clips for castellated panels	7-0086-180-01-03	Red
Pieces in a singular box	Pieces in a master box	Pieces on a pallet
180	3600	72 000



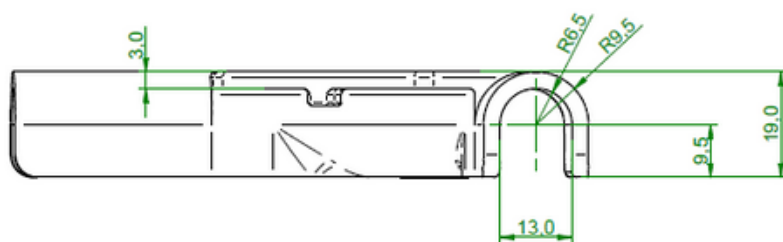


**ALPHAHEAT**

## PRODUCT DATA SHEET

# Pipe bend support 10-12

The pipe bend ensures that the heating pipe is guided at a **90° angle** from the heating surface to the manifold cabinet.

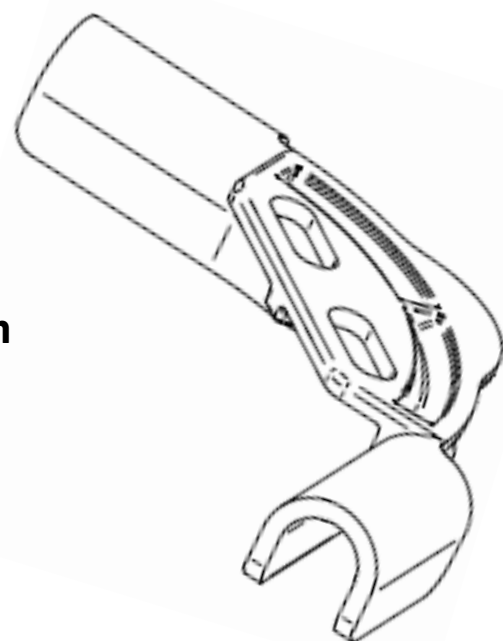


The pipe bend support **stabilizes and protects** the pipe at the bending point.

This ensures proper pipe placement and no structure damage to the pipe.

The pipe bend is made of **polyamide reinforced with glass fibre** for maximum efficiency and resistance.

The pipe bend can be used to guide cables as well.



Name	Code	Colour
Pipe bend support 10-12	7-1012-025-02-01	Black
Pieces in a singular box	Pieces in a master box	Pieces on a pallet
25	700	14 000



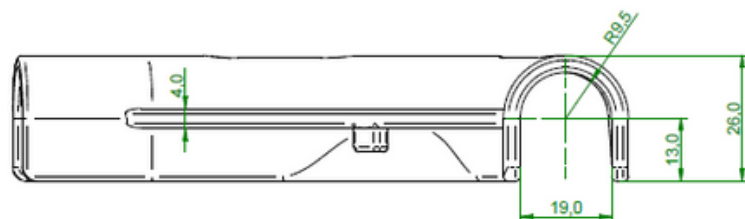


**ALPHAHEAT**

## PRODUCT DATA SHEET

# Pipe bend support 14-18

The pipe bend ensures that the heating pipe is guided at a **90° angle** from the heating surface to the manifold cabinet.

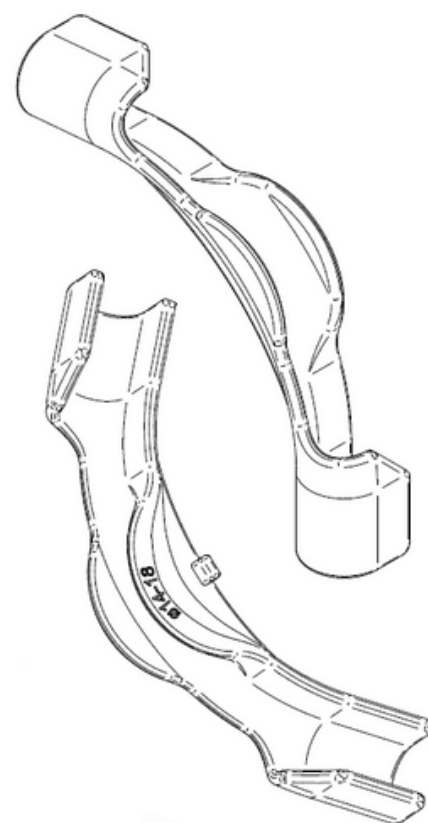


The pipe bend support **stabilizes and protects** the pipe at the bending point.

This ensures proper pipe placement and no structure damage to the pipe.

The pipe bend is made of **polyamide reinforced with glass fibre** for maximum efficiency and resistance.

The pipe bend can be used to guide cables as well.



Name	Code	Colour
Pipe bend support 14-18	7-1418-020-02-01	Black
Pieces in a singular box	Pieces in a master box	Pieces on a pallet
20	400	8 000

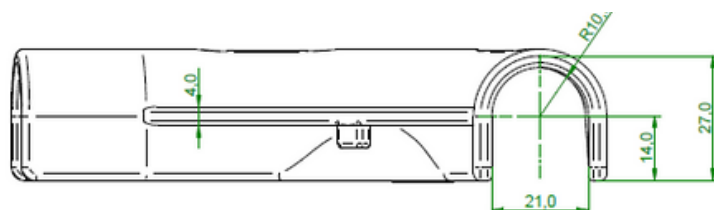


**ALPHAHEAT**

## PRODUCT DATA SHEET

# Pipe bend support 20-22

The pipe bend ensures that the heating pipe is guided at a **90° angle** from the heating surface to the manifold cabinet.

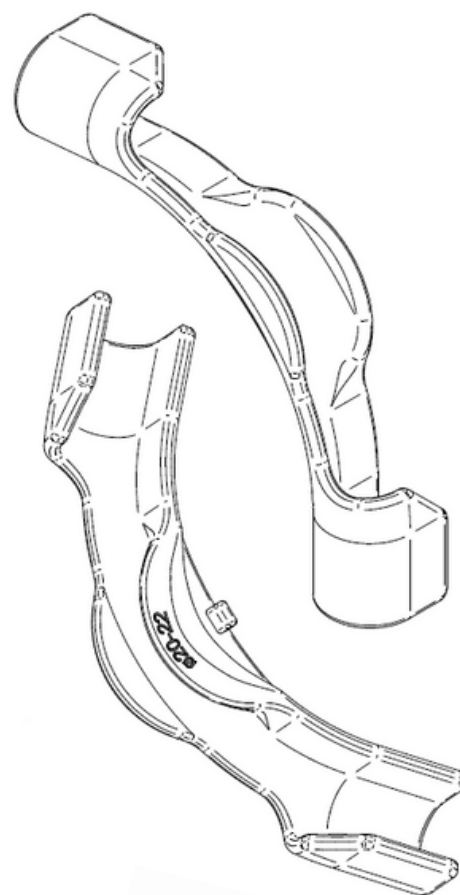


The pipe bend support **stabilizes and protects** the pipe at the bending point.

This ensures proper pipe placement and no structure damage to the pipe.

The pipe bend is made of **polyamide reinforced with glass fibre** for maximum efficiency and resistance.

The pipe bend can be used to guide cables as well.



Name	Code	Colour
Pipe bend support 20-22	7-2022-020-02-01	Black
Pieces in a singular box	Pieces in a master box	Pieces on a pallet
20	400	8 000



**ALPHAHEAT**

## PRODUCT DATA SHEET

# Single-hook floor dowel - short

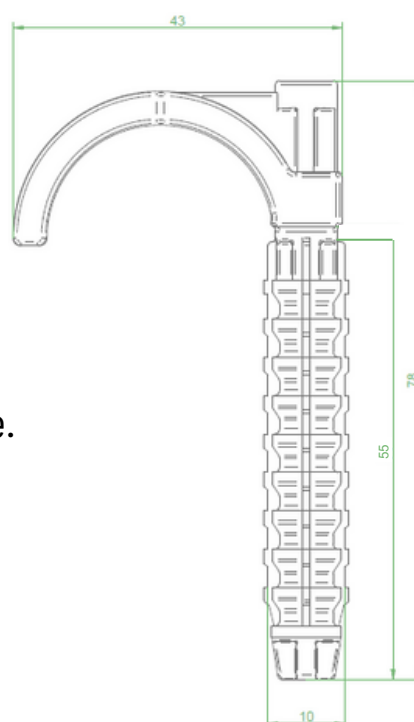
The dowel is designed for attaching installation pipes and electrical cables to floor, walls and ceiling.

**The total length** of the item is 78mm

**The dowel length** is 55mm

The dowel is designed to withstand impact during installation, thanks to its reinforced structure.

The dowel is made of high-impact polypropylene, which makes it resistant to breakage.



Name	Code	Colour
Single-hook floor dowel - short	7-0071-080-01-00	White

Pieces in a singular box	Pieces in a master box	Pieces on a pallet
80	2 340	44 800



**ALPHAHEAT**

## PRODUCT DATA SHEET

# Single-hook floor dowel - long

The dowel is designed for attaching installation pipes and electrical cables to floor, walls and ceiling.

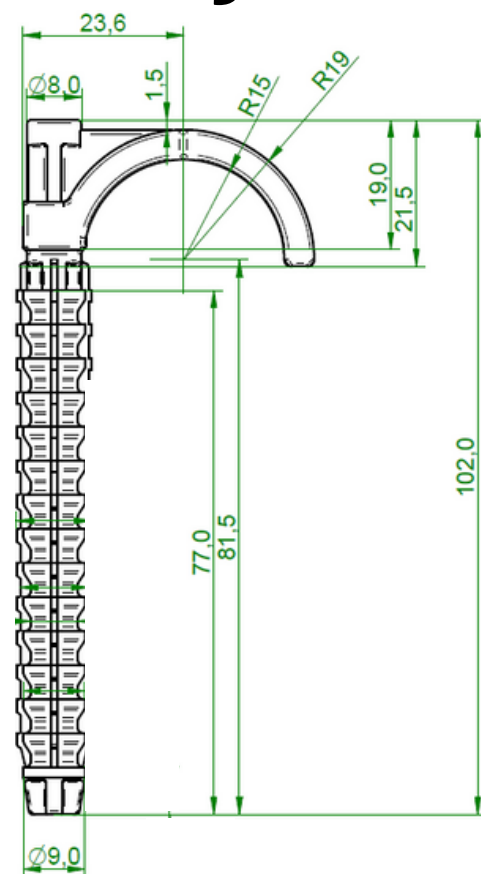
**The total length** of the item is 102mm

**The dowel length** is 77mm

The bracket covers a pipe size of  $\varnothing$  25mm to 32mm.

The dowel is designed to withstand impact during installation, thanks to its reinforced structure.

The dowel is made of high-impact polypropylene, which makes it resistant to breakage.



Name	Code	Colour
Single-hook floor dowel - long	7-0101-060-01-00	White

Pieces in a singular box	Pieces in a master box	Pieces on a pallet
60	1 680	33 600



**ALPHAHEAT**

## PRODUCT DATA SHEET

# Double-hook floor dowel - short

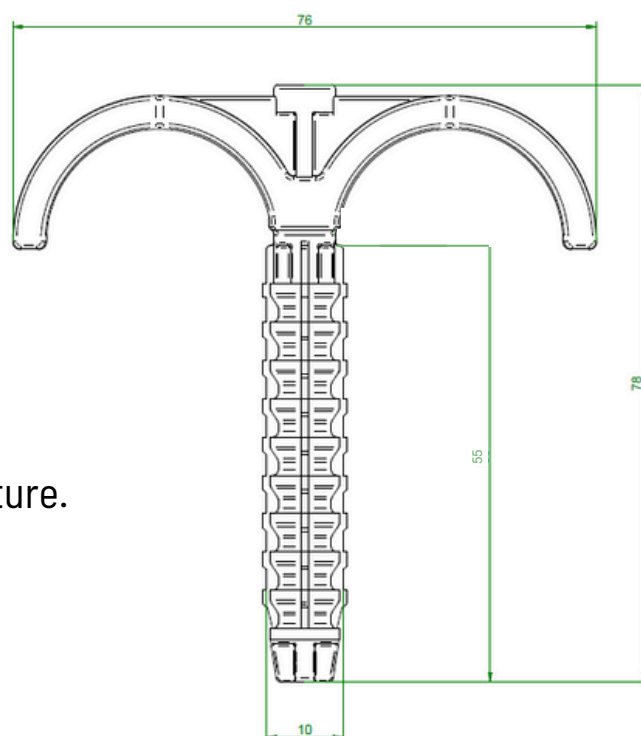
The dowel is designed for attaching installation pipes and electrical cables to floor, walls and ceiling.

**The total length** of the item is 78mm

**The dowel length** is 55mm

The dowel is designed to withstand impact during installation, thanks to its reinforced structure.

The dowel is made of high-impact polypropylene, which makes it resistant to breakage.



Name	Code	Colour
Double-hook floor dowel - short	7-0070-060-01-00	White

Pieces in a singular box	Pieces in a master box	Pieces on a pallet
60	1 680	33 600



# ALPHAHEAT

## PRODUCT DATA SHEET

### Double-hook floor dowel - long

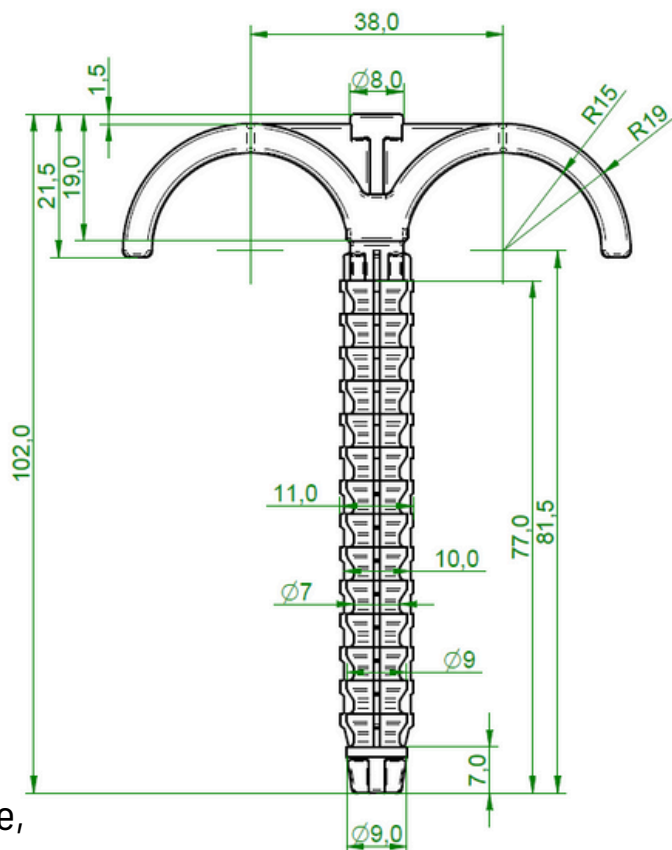
The dowel is designed for attaching installation pipes and electrical cables to floor, walls and ceiling.

**The total length** of the item is 102mm

**The dowel length** is 77mm

The dowel is designed to withstand impact during installation, thanks to its reinforced structure.

The dowel is made of high-impact polypropylene, which makes it resistant to breakage.



Name	Code	Colour
Double-hook floor dowel - long	7-0100-050-01-00	White

Pieces in a singular box	Pieces in a master box	Pieces on a pallet
50	1 400	28 000



ALPHAHEAT

## PRODUCT DATA SHEET

# Pressure Test Caps

The test caps are designed to **seal the installation** for pressure testing.

The caps are used in installations made of **multilayer pipes**, e.g. PEX/AL/PEX

Easy to install - possibility to use a spanner or allen key

Material: Polyamide



Code	Name	Colour
7-0160-020-02-02	Pressure test cap 16 x 2,0 mm	Blue
7-0160-020-02-03	Pressure test cap 16 x 2,0 mm	Red
7-0200-020-02-02	Pressure test cap 20 x 2,0 mm	Blue
7-0200-020-02-03	Pressure test cap 20 x 2,0 mm	Red
7-0250-005-02-02	Pressure test cap 25 x 2,5 mm/ 26 x 3,0 mm	Blue
7-0250-005-02-03	Pressure test cap 25 x 2,5 mm/ 26 x 3,0 mm	Red
7-0320-005-02-02	Pressure test cap 32 x 3,0 mm	Blue
7-0320-005-02-03	Pressure test cap 32 x 3,0 mm	Red







# ALPHAHEAT

## PRODUCT DATA SHEET

### Edge strip with glue and foil apron

Edge strip made of polyethylene, fitted with a **foil apron and incisions**.

The edge strip is characterised by good **insulation and resistance** properties

The edge strip is **self-adhesive**, allowing it to be stuck to the wall. The product is flexible and soft.

Code	Name	Colour
7-1500-025-03-06	Yellow edge strip 150x8mm with foil apron, 3cm adhesive strip and incisions - roll 25m	Yellow
7-1500-025-03-02	Blue edge strip 150x8mm with foil apron, 3cm adhesive strip and incisions - roll 50m	Blue
7-1500-050-03-06	Yellow edge strip 150x8mm with foil apron, 3cm adhesive strip and incisions - roll 25m	Yellow
7-1500-050-03-02	Blue edge strip 150x8mm with foil apron, 3cm adhesive strip and incisions - roll 50m	Blue





**ALPHAHEAT**

## PRODUCT DATA SHEET

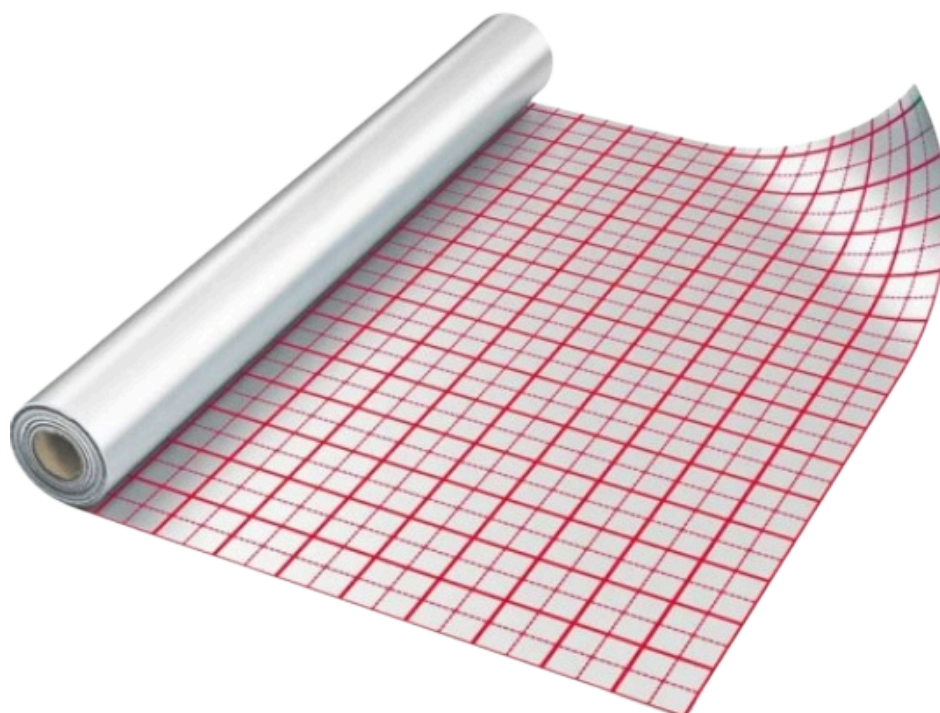
# Aluminium UFH foil

Insulating foil for underfloor heating - made with **modern technology laminate** of polyethylene film and metallized polypropylene film.

A **special print** ( a grid of squares with a side of 10 cm ) facilitates the installation of the heating system.

Thanks to its parameters, the aluminum foil constantly and evenly **reflects the heat** generated in underfloor heating systems.

Code	Name	Thickness [ $\mu\text{m}$ ]	Colour
7-1050-050-03-04	Aluminium foil for underfloor heating, 50m	105	Silver



## Aluminium Tacker Gun

Suitable for 35mm, 40mm, 50mm and 60mm tacker staples, tape glued and welded.

## Full-aluminium block

The all-aluminium block provides superior performance and diminished wear-and-tear compared to the plastic tacker guns.

## Supportive stand

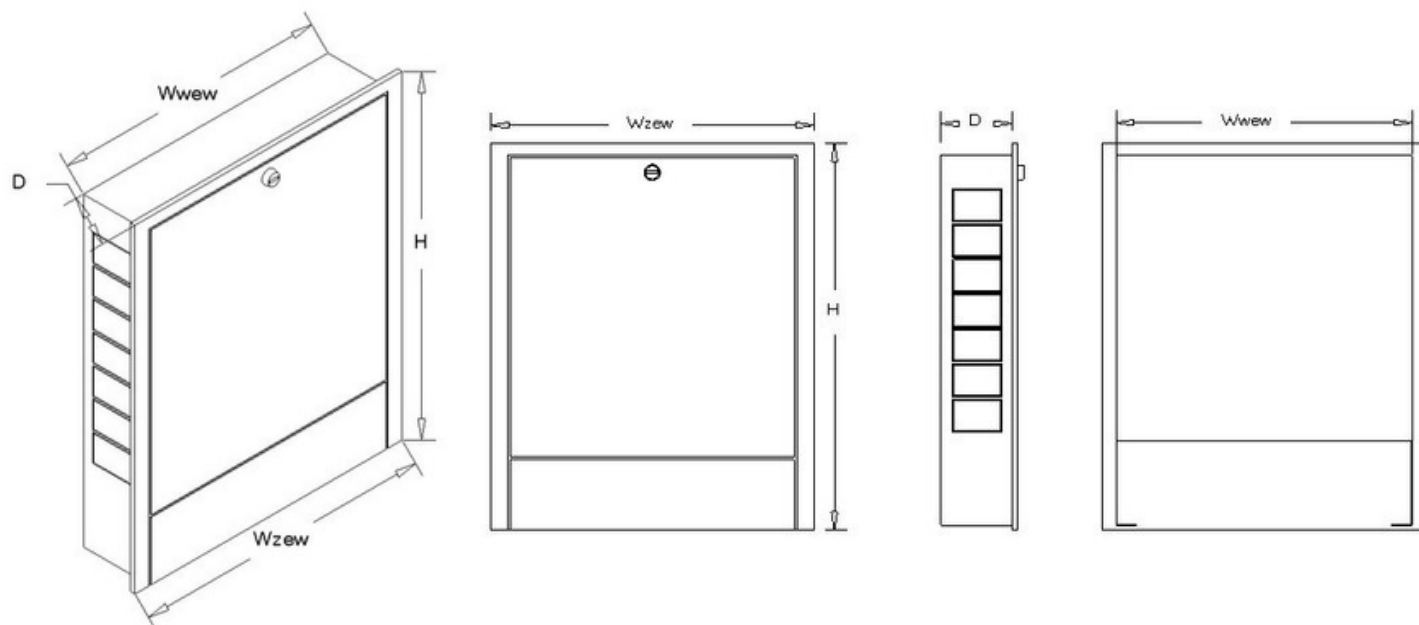
The supportive stand keeps the tacker upright, which increases the comfort and safety of work for the installator

## Revision window

In the event of a staple becoming stuck in the tacker gun, use the revision window to quickly and easily remove the staple.



# Under plaster manifold cabinet



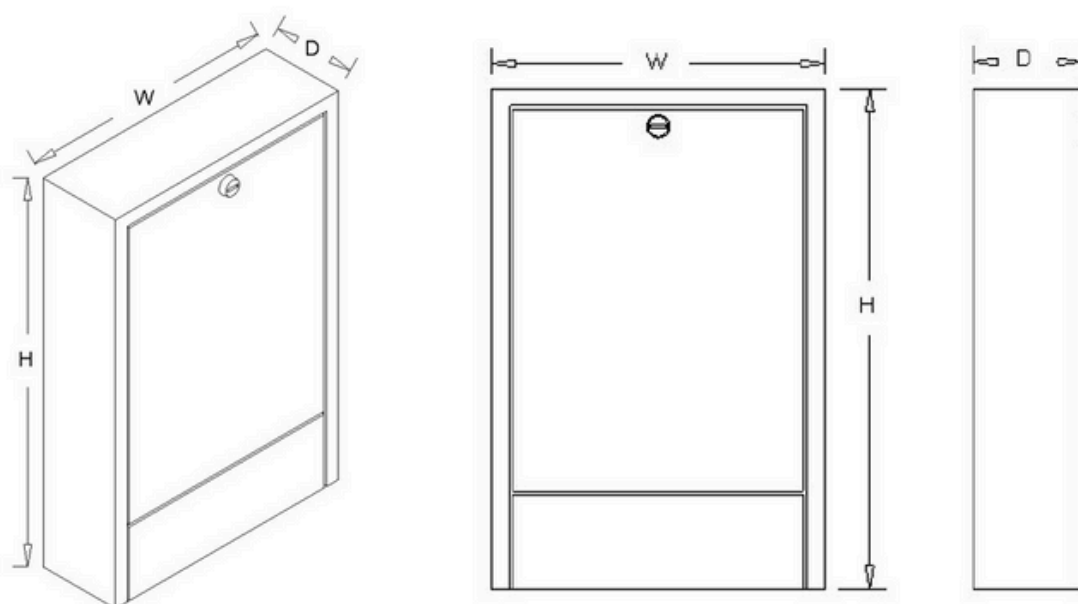
## Under plaster cabinet

CODE	Width Wwew[mm]	Inside width Wwew[mm]	Height H[mm]	Depth D[mm]	NUMBER OF LOOPS	
					without mixing pump	with mixing pump
<b>PO1</b>	385	335	575 - 665	110 - 175	4	-
<b>PO2</b>	485	435	575 - 665	110 - 175	6	-
<b>PO3</b>	615	565	575 - 665	110 - 175	8	4
<b>PO4</b>	765	715	575 - 665	110 - 175	10	7
<b>PO5</b>	845	795	575 - 665	110 - 175	12	8
<b>PO6</b>	1015	965	575 - 665	110 - 175	14	12
<b>PO7</b>	1135	1085	575 - 665	110 - 175	16	14

## WEIGHT and QUANTITY PER PALLET

CODE	Weight with packaging 1 pcs	Pcs per pallet
<b>PO1</b>	5,40 kg	56
<b>PO2</b>	5,80 kg	40
<b>PO3</b>	6,80 kg	33
<b>PO4</b>	8,00 kg	28
<b>PO5</b>	10,00 kg	19
<b>PO6</b>	11,10 kg	18
<b>PO7</b>	13,20 kg	17

# Over plaster manifold cabinet



## Over plaster cabinet

Code	Width W [mm]	Inside width W [mm]	Height H [mm]	Depth D [mm]	NUMBER OF LOOPS	
					without mixing pump	with mixing pump
<b>N01</b>	385	355	580	120	4	-
<b>N02</b>	485	455	580	120	6	-
<b>N03</b>	615	585	580	120	8	4
<b>N04</b>	760	730	580	120	10	7
<b>N05</b>	845	815	580	120	12	8
<b>N06</b>	1015	985	580	120	14	12
<b>N07</b>	1125	1095	580	120	16	14

## Over plaster cabinet DEEP

Code	Width W [mm]	Inside width W [mm]	Height H [mm]	Depth D [mm]	NUMBER OF LOOPS	
					without mixing pump	with mixing pump
<b>N01G</b>	385	385	580	150	4	-
<b>N02G</b>	485	485	580	150	6	-
<b>N03G</b>	615	615	580	150	8	4
<b>N04G</b>	760	760	580	150	10	7
<b>N05G</b>	845	845	580	150	12	8
<b>N06G</b>	1015	1015	580	150	14	12
<b>N07G</b>	1125	1125	580	150	16	14



**ALPHAHEAT**

## **UPCOMING PRODUCTS**

