



ALPHAHEAT

PRODUCT DATA SHEET

Leak proof test plug 1/2"

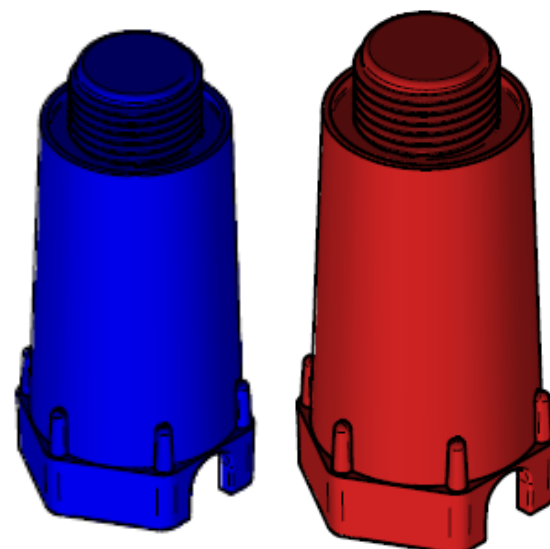
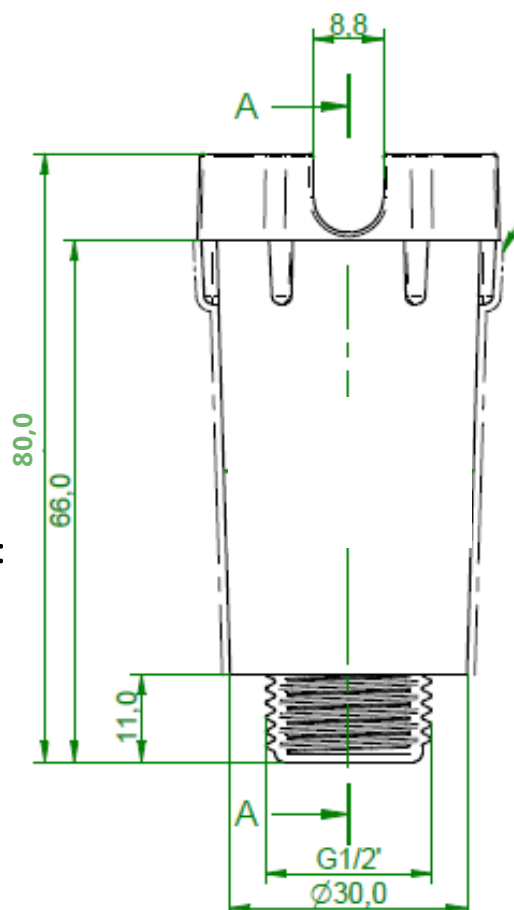
The leak proof test plug is used to plug water system pipes for the purpose of carrying out leakage tests of the installation.

The total length of the plug is 80mm

The diameter of the plug is 1/2"

The design of the plug allows 4 installation methods: manually, with a socket spanner, using an allen key, with a screwdriver.

The plug is made of high-quality material, which ensures its durability during assembly and disassembly.



Name	Code	Colour
Leak proof test plug	7-0120-020-01-02	Blue
	7-0120-020-01-03	Red
Pieces in a singular box	Pieces in a master box	Pieces on a pallet
20	560	11 200